

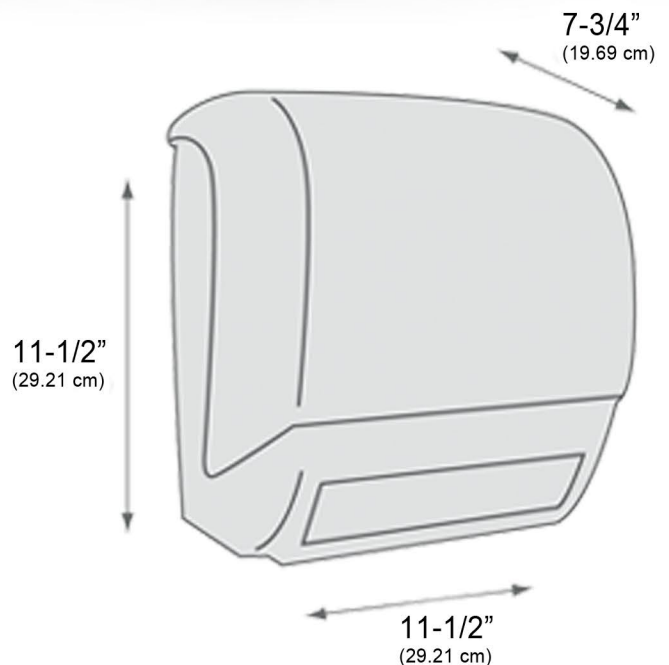
TD0234


Electronic Roll
Towel Dispenser



Compact. Low Cost. Durable. Hands Free.

- Smooth, easy towel delivery assures reliable dispensing
- Hands-free electronic operation
- Operates on 4 "D" size alkaline batteries
- Designed for maximum strength and durability
- Automatically dispenses 11" sheets
- Fits most universal rolls up to 8" wide and 6" in diameter, with a 1-1/2" core
- Stub roll tray included - tray helps reduce paper waste



 Put YOUR logo
on this dispenser!

 ADA
Compliant

- 01** TD0234-01 - Dark Translucent
- 02** TD0234-02 - Black Translucent
- 03** TD0234-03 - White Translucent

Ph: 800.558.8678
Ph: 920.884.8698
Fax: 920.884.8699
info@palmerfixture.com



Palmer Fixture
P.O. Box 10887
Green Bay, WI 54307
www.palmerfixture.com