



NEW

INSPIRE

Electronic Hands Free
Roll Towel Dispenser

*A simple and compact
design offering a reliable
and efficient hands-free
operation*

**Contact us for
more information!**



MADE IN THE USA



www.palmerfixture.com - 800.558.8678 - info@palmerfixture.com

**PALMER
FIXTURE**

INSPIRE

**Electronic Hands Free
Roll Towel Dispenser**

Simple, Reliable and Efficient Operation!



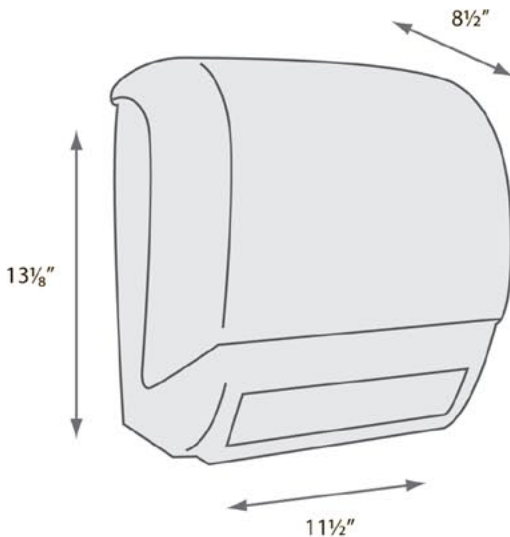
TD0235-03



TD0235-01



TD0235-02



Economically designed - small footprint, simple operation

Lower waste with a reliable dispense of 11" sheet with every cycle

Sophisticated sensor - automatically dispenses when hand is placed over the sensor

Includes stub roll tray - to deliver a more precise control of consumption

Low battery indicator light

Compact design still allows for 8" 800 ft. standard roll with a 1-1/2" core

Easy access to battery compartment

Operates on 4 "D" sized LR-20 alkaline batteries

AC/DC Adaptor

ADA Compliant

To eliminate batteries, order the **TD0236 InSpire** Roll Towel Dispenser. The TD0236 Comes equipped with an AC/DC adaptor plug, and has the same setting options as the TD0235.

Ph: 800.558.8678
Ph: 920.884.8698
Fax: 920.884.8699
info@palmerfixture.com



Palmer Fixture
P.O. Box 10887
Green Bay, WI 54307
www.palmerfixture.com