



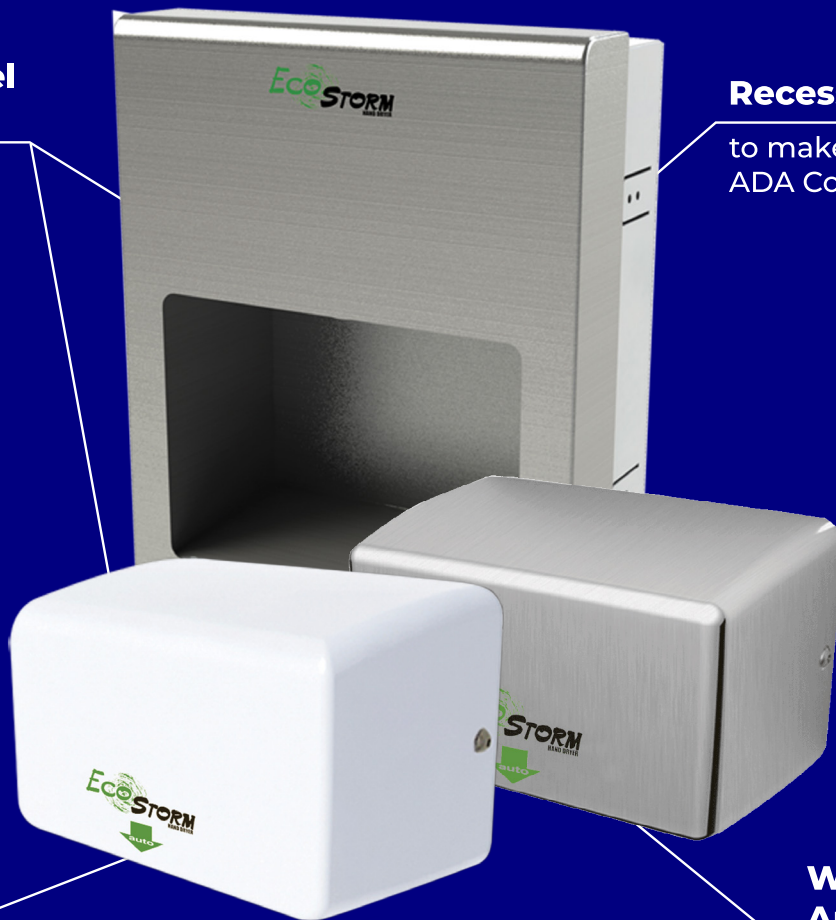
HIGH SPEED HAND DRYER

Stainless Steel Construction

for maximum
durability

Recessed Design

to make the HD0945
ADA Compliant



Compact Footprint

surface mount is
smaller than a
sheet of paper

Wide Drying Area

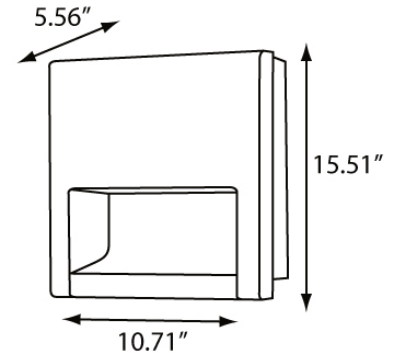
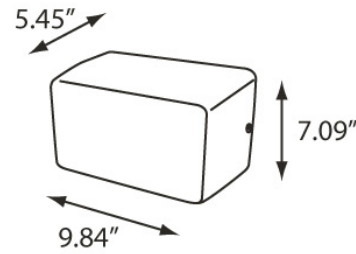
for an optimal
hand drying
experience

MODEL: HD0940 & HD0945 | ULTRA SERIES



MODEL NUMBER & COLOR

HD0940-09, HD0941-09	Brushed Stainless
HD0940-17, HD0940-17	White
HD0945-09	Brushed Stainless



COLOR OPTIONS

- (09) BRUSHED STAINLESS
- (17) WHITE

TECHNICAL SPECIFICATIONS

Material: Stainless Steel

Motor Type: 3/4HP, 500W brush type, dual ball bearings

Thermal Protection:

Motor Shuts Off at 221°F (105°C)
Heater Shuts Off at 282°F (139°C)

Operating Airflow: 17,752 LFM, Adjustable

Air Output Temperature:

131°F (55°C)
Ambient Temperature 77°F (25°C)

Sound Level: 63.5dB

Isolation: Class 1

Drip Proof: IPX1 ▲

Watts: 1000W

RPM: 29,000, Adjustable

Voltage & Amps:

HD0940-09	110/120 Volts	8.4-10.5 Amps
HD0941-09	220/240 Volts	4.2-5.5 Amps
HD0940-17	110/120 Volts	8.4-10.5 Amps
HD0941-17	220/240 Volts	4.2-5.5 Amps
HD0945-09	110/120 Volts	8.5-10.5 Amps

Mounting: Surface or Recessed

MOUNTING HEIGHTS

from bottom of dryer to the finished floor

Men	40"
Women	38"
Children (4-7)	32"
Children (8-10)	34"
Children (11-13)	36"
Children (14-16)	38"
Disabled	34"

DIMENSIONS & WEIGHT

HD0940 & HD0941

Width:	9.84"
Height:	7.09"
Depth:	5.45"
Weight:	8.4 lbs

HD0945

Width:	10.71"
Height:	15.51"
Depth:	5.56"
Weight:	15.4 lbs

Phone: 920.884.8698
Toll-Free: 800.558.8678
Fax: 920.884.8699
Email: info@palmerfixture.com



Palmer Fixture
PO BOX 10887
Green Bay, WI 54307
Website: www.palmerfixture.com