

SF2111

Manual Bulk Foam Soap Dispenser



FEATURES



- Dispenses approximately .7 ml per use
- Easy to use and refill
- Large window for easy view of soap supply
- Reservoir hold 1,000 mL
- ADA Compliant

AVAILABLE COLORS

Platinum



Black

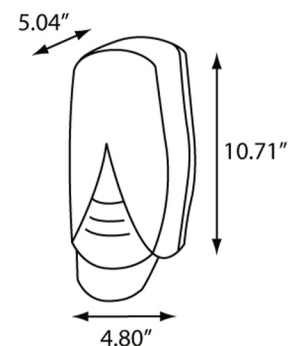


White



SPECIFICATIONS

Model #	SF2111-08 (Platinum) SF2111-16 (Black) SF2111-17 (White)		
Dimensions	4.80"W x 10.71"H x 5.04"D		
Weight	1.15 lbs each	Case Pack	12 per case - 2.24' ³
Capacity	1000mL Foam Soap	Key Type	10



Ph: 800.558.8678
Ph: 920.884.8698
Fax: 920.884.8699
info@palmerfixture.com



Palmer Fixture
P.O. Box 10887
Green Bay, WI 54307
www.palmerfixture.com