

SF0508-16

Universal Metal Display Stand

DESCRIPTION

A sturdy metal stand with a wide base for added stability. Great for use in public settings, like airport terminals or medical reception areas.

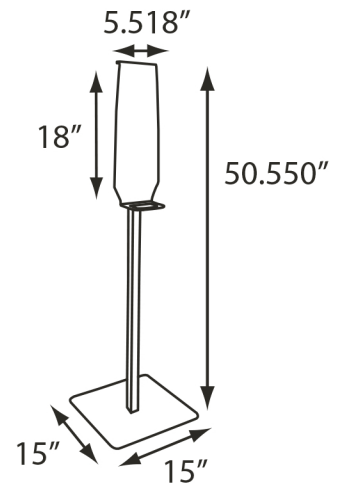
AVAILABLE COLORS

Black



SPECIFICATIONS

Model #	SF0508-16 (Black)
Dimensions	5.518"W x 50.550"H x 15"D
Weight	23 lbs each
Base	15" x 15"
Capacity	Holds 1 Soap Dispenser



Ph: 800.558.8678
Ph: 920.884.8698
Fax: 920.884.8699
info@palmerfixture.com



Palmer Fixture
P.O. Box 10887
Green Bay, WI 54307
www.palmerfixture.com