

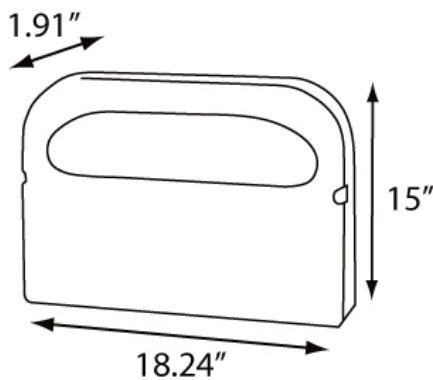
Plastic Toilet Seat Cover Dispenser

Product Overview

The toilet seat cover dispenser is easy to use and install, it also improves hygiene in your facility. Designed for half fold toilet seat covers, only one seat cover is dispensed at a time to help prevent waste.

Product Features:

- Easy to use and install
- Improves hygiene in your facility
- Designed for half fold toilet seat covers
- Only one seat cover is dispensed at a time to help prevent waste
- Choose from heavy duty plastic or metal construction
- Made in the U.S.A.
- Customize with your logo



More information and images available online.



MODEL #	COLOR
TS0143-16	BLACK OPAQUE 16

Specifications:

Dimensions (in)	18.24" w x 15" h x 1.91" d
Weight (lb)	.70 lb
Capacity	250 Seat Covers
Case Pack	12 (3.64'³)
Pallet Qty	500 units