

Mechanical Hands-Free Roll Towel Dispenser

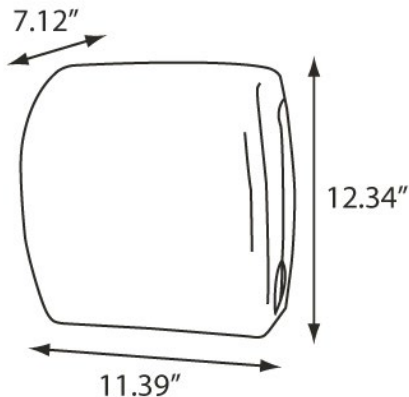
Product Overview

The TD0202 is a Mechanical Hands-Free Roll Towel Dispenser features an extremely compact design to fit into a variety of environments. This ADA compliant paper dispenser offers an easy loading procedure and an extremely low pull force. The TD0202 is a universal towel dispenser, fitting most rolls up to 8" wide and 6" in diameter.



Product Features:

- Easy loading procedure
- Compact design – fits almost anywhere!
- No levers, cranks or buttons to touch – eliminates cross contamination
- Fits most universal rolls up to 8" wide and 6" in diameter
- Extremely low pull force
- Made of durable, high-impact materials
- Door can be replaced with no tools



More information and images available online.

MODEL #	COLOR	
TD0202-02	BLACK TRANSLUCENT	02
TD0202-03	WHITE TRANSLUCENT	03

Specifications:  

Dimensions (in)	11.39" w x 12.34" h x 7.12" d
Weight (lb)	4.05 lb
Key Type	1
Capacity	8"W x 6"D Roll Towel
Case Pack	1 (0.80'³)
Pallet Qty	90 units