

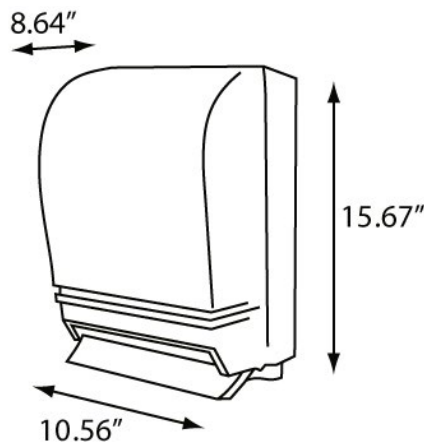
Auto-Transfer Push Bar Roll Towel Dispenser

Product Overview

The Auto-Transfer Push Bar Lever Towel Dispenser allows the use of an arm or elbow to dispense paper, this helps to prevent cross contamination. This extremely tough dispenser features a heavy gauge metal back. An automatic transfer system eliminates stub roll waste.

Product Features:

- Classic look, timeless design, smooth and quiet
- Easy loading
- Double latch key lock with standard metal key
- Automatic transfer system eliminates stub roll waste
- User can dispense paper with an arm or elbow
- Heavy gauge steel body
- Impact resistant, durable plastic cover
- ADA Compliant



More information and images available online.



MODEL #	COLOR	
TD0215-01	DARK TRANSLUCENT	01
TD0215-02	BLACK TRANSLUCENT	02
TD0215-03	WHITE TRANSLUCENT	03

Specifications:   

Dimensions (in)	10.56" w x 15.67" h x 8.64" d
Weight (lb)	6.00 lb
Key Type	1
Capacity	8"W x 8"D Roll Towel
Case Pack	1 (1.16' ³)
Pallet Qty	72 units