

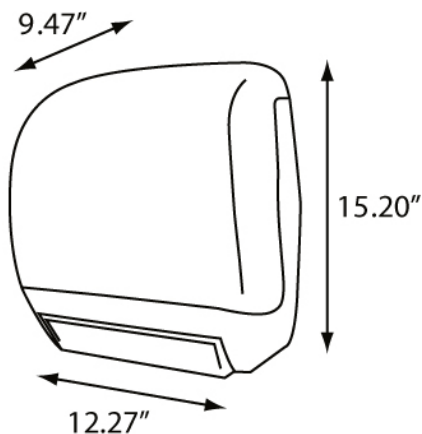
Electronic Hands Free Roll Towel Dispenser

Product Overview

The TD0245 Electronic Touchless Roll Towel Dispenser provides maximum options and cost reduction. It features adjustable paper lengths (9", 12", 15") and time delay (1, 2, 3 seconds). Model TD0246 comes equipped with an AC/DC Adaptor plug.

Product Features:

- Automatic, hygienic, hands-free operation
- Paper is fully protected until the user is ready
- Patented paper savings mode reduces paper consumption by 12-15%
- Easy to install paper, batteries and change settings
- Auto-transfer system prevents stub roll waste
- Low battery indicator light
- Longest battery life in the industry with up to 72,000 cycles, or 1 year
- Optional AC/DC Adaptors available (#SP012400)



More information and images available online.



MODEL #	COLOR	
TD0245-01	DARK TRANSLUCENT	01
TD0245-02	BLACK TRANSLUCENT	02
TD0245-03	WHITE TRANSLUCENT	03
TD0246-02	BLACK TRANSLUCENT	02

Specifications:    

Dimensions (in)	12.27" w x 15.20" h x 9.47" d
Weight (lb)	4.60 lb
Key Type	1
Batteries	4x "D" LR20 Alkaline
Capacity	8"W x 8"D Roll Towel
Case Pack	1 (1.14'3)
Pallet Qty	81 units