

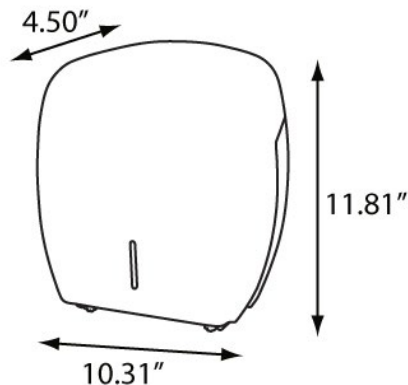
Single 9" Jumbo Tissue Dispenser

Product Overview

The RD0016 Single 9" Jumbo Roll Tissue Dispenser will hold any universal 9" jumbo tissue roll with a 3-3/8" core. A viewing window allows for easy monitoring of paper supply. Translucent covers are available by special order.

Product Features:

- Universal for all brands of 9" diameter Jumbo Bath Tissue
- Dispenses perforated or non-perforated tissue, 1 or 2 ply
- Easy loading saves costly maintenance
- All plastic construction improves styling, provides easy to clean surface
- Viewing window to easily check paper level
- Permanent key knob available (SP0107)



More information and images available online.



MODEL #	COLOR	
RD0016-02	BLACK TRANSLUCENT	02
RD0016-03	WHITE TRANSLUCENT	03
RD0016-16	BLACK OPAQUE	16
RD0016-17	WHITE OPAQUE	17

Specifications:   

Dimensions (in)	10.31" w x 11.81" h x 4.50" d
Weight (lb)	1.60 lb
Key Type	1
Capacity	9" Jumbo Roll Tissue
Case Pack	6 (2.52' ³)
Pallet Qty	150 units