

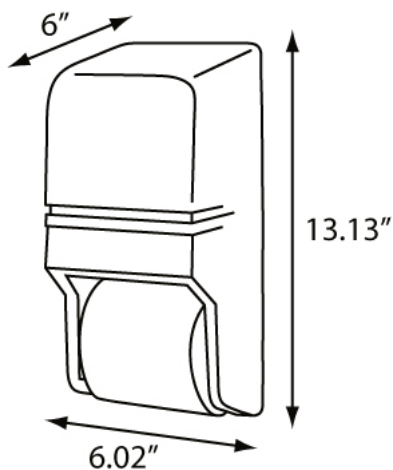
Two-Roll Standard Tissue Dispenser

Product Overview

The Two Roll Standard Tissue Dispenser with a metal back is easy to use and install. The modern design is sure to compliment any decor. The dispenser uses standard toilet tissue paper up to 5" in diameter with a 1-1/2" core. Access to reserve roll is accessible once lower roll is completely used.

Product Features:

- Space-saving design
- Double-latch lock prevents theft
- Heavy gauge steel back constructed for maximum strength
- Holds two standard rolls



More information and images available online.



| MODEL # | COLOR | |
|-----------|-------------------|----|
| RD0025-01 | DARK TRANSLUCENT | 01 |
| RD0025-03 | WHITE TRANSLUCENT | 03 |

Specifications:   

| | |
|-----------------|---------------------------|
| Dimensions (in) | 6.02"w x 13.13"h x 6"d |
| Weight (lb) | 2.10 lb |
| Key Type | 1 |
| Capacity | Two Standard Tissue Rolls |
| Case Pack | 6 (2.28' ³) |
| Pallet Qty | 210 units |