

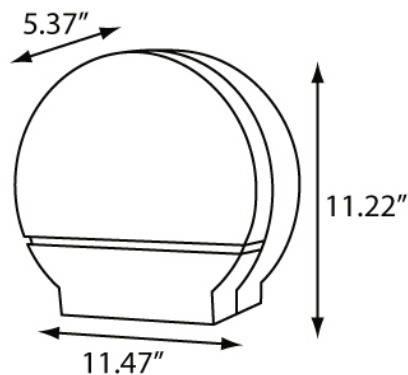
Single 9" Jumbo Tissue Dispenser

Product Overview

The RD0026 Single 9" Jumbo Roll Tissue Dispenser will hold any universal 9" jumbo tissue roll with a 3-3/8" core. A 2-1/4" core is available for special order. The translucent cover makes it easy to detect low paper supply.

Product Features:

- Universal for all brands of Jumbo Roll Tissue with 3 3/8" cores
- Dispensers with 2 1/4" cores are available by special order
- Add 'F' to the model number to add a 2-1/4" - 3-3/8" Core Adaptor
- Translucent cover makes it easy to detect low paper supply
- Double latch lock helps prevent theft and waste
- ADA Compliant



More information and images available online.



MODEL #	COLOR	
RD0026-02	BLACK TRANSLUCENT	02
RD0026-03	WHITE TRANSLUCENT	03
RD0026-02F	BLACK TRANSLUCENT	02
RD0026-03F	WHITE TRANSLUCENT	03

Specifications:   

Dimensions (in)	11.47" w x 11.22" h x 5.37" d
Weight (lb)	1.65 lb
Key Type	1
Capacity	9" Jumbo Roll Tissue
Case Pack	6 (3.09 ^{'3})
Pallet Qty	144 units