

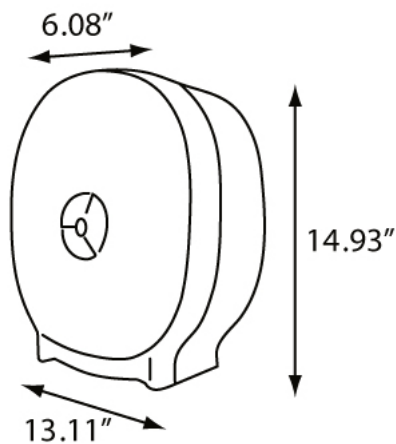
4-Roll Carousel "Turnado" Tissue Dispenser

Product Overview

The 4-Roll Carousel Standard Tissue Dispenser features a roll advance mechanism that ensures that a roll must be completely used before switching to a new one. This unit holds any standard household tissue roll with a 1-1/2" core.

Product Features:

- 4 station conventional tissue carousel
- Towel is completely covered for maximum hygiene
- Vandal-proof, break resistant, chemical and flame resistant
- Made of tough impact resistant material



More information and images available online.



| MODEL # | COLOR |
|-----------|----------------------------|
| RD0044-02 | DARK TRANSLUCENT 02 |

Specifications: 

| | |
|-----------------|-------------------------------|
| Dimensions (in) | 13.11" w x 14.93" h x 6.08" d |
| Weight (lb) | 3.55 lb |
| Key Type | 2 |
| Capacity | Four Standard Tissue Rolls |
| Case Pack | 1 (.73'3) |
| Pallet Qty | 144 units |