

7.5" Mini Twin Standard Tissue Dispenser

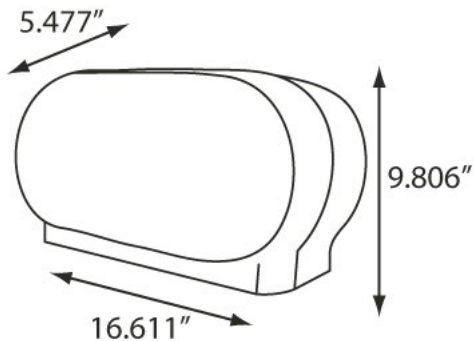
Product Overview

The 7.5" Mini Twin Tissue Dispenser is easy to use and install. This tissue dispenser uniquely holds two 7.5" rolls of toilet tissue; perfect for facilities that need a little more than a standard roll but may not have space for a true jumbo roll tissue dispenser.



Product Features:

- Holds two 7.5" standard core tissue rolls
- Compact design with a hinged cover
- Second roll cannot be used until the first roll is completely gone, reduces waste
- Heavy duty lock prevents theft
- Translucent cover for easy view of paper



More information and images available online.

MODEL #	COLOR	
RD0323-02	BLACK TRANSLUCENT	02
RD0323-03	WHITE TRANSLUCENT	03

Specifications:  

Dimensions (in)	16.61" w x 9.80" h x 5.47" d
Weight (lb)	2.50 lb
Key Type	1
Capacity	Two 7.5" Tissue Rolls
Case Pack	4 (2.60' ³)
Pallet Qty	120 units