

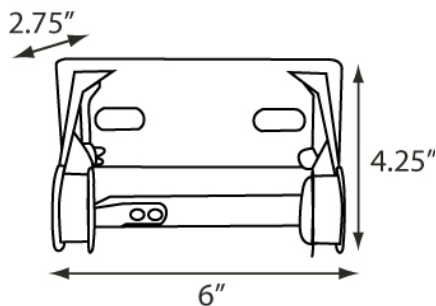
Metal Single Roll Standard Tissue Dispenser

Product Overview

The Standard Single Roll Tissue Dispenser features tension springs to reduce paper from free spinning. The units are easy to load and service, and have concealed self-locking mechanisms to prevent theft.

Product Features:

- Tension springs reduce paper from free spinning
- Easy to load and service
- Concealed self-locking mechanism to prevent theft
- Minimum 1-1/2" core diameter



More information and images available online.



MODEL #	COLOR	
RD0381-12	BRIGHT CHROME	12

Specifications:

Dimensions (in)	6.00"w x 4.25"h x 2.75"d
Weight (lb)	0.42 lb
Key Type	N/A
Capacity	One Standard Tissue Roll
Case Pack	12 (1.02'³)
Pallet Qty	1944 units