

Metal Two-Roll Standard Tissue Dispenser

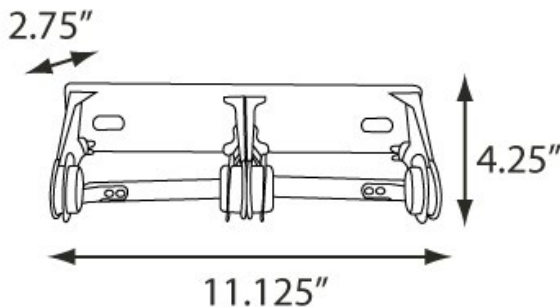
Product Overview

The Standard Two-Roll Tissue Dispenser features tension springs to reduce paper from free spinning. The units are easy to load and service, and have concealed self-locking mechanisms to prevent theft.



Product Features:

- Tension springs reduce paper from free spinning
- Easy to load and service
- Concealed self-locking mechanism to prevent theft
- Minimum 1-1/2" core diameter



More information and images available online.

MODEL #	COLOR	
RD0384-12	BRIGHT CHROME	12

Specifications:

Dimensions (in)	11.125"w x 4.25"h x 2.75"d
Weight (lb)	0.92 lb
Key Type	N/A
Capacity	Two Standard Tissue Rolls
Case Pack	12 (1.02'³)
Pallet Qty	1944 units