

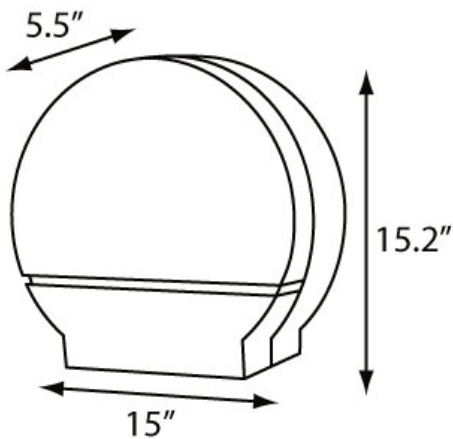
Single 12" Senior Jumbo Tissue Dispenser

Product Overview

The Single 12" Jumbo Roll Tissue Dispenser has 1-3/4" and 3" adaptors. It is universal for any 12" jumbo tissue roll. The translucent cover makes it easy to detect low paper supply.

Product Features:

- Easy to load
- Universal for all brands of 12" tissue with a 2 to 3-1/2" core
- 1-3/4" and 3" Adaptors included
- Fits up to 5280 ft. of 1-ply tissue or 2640 ft. of 2-ply tissue
- Translucent cover allows for a view of the paper supply
- Heavy-duty lock prevents theft and waste
- ADA Compliant



More information and images available online.



MODEL #	COLOR
RD0059-02F	BLACK TRANSLUCENT 02

Specifications:   

Dimensions (in)	15"w x 15.2"h x 5.5"d
Weight (lb)	2.60 lb
Key Type	1
Capacity	12" Jumbo Tissue
Case Pack	1 (.77'3)
Pallet Qty	90 units